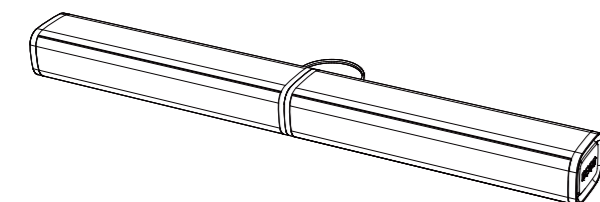


# USER MANUAL

## Prestel VCS-S1

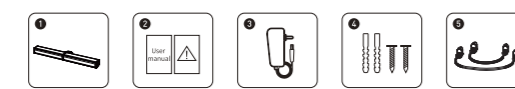
2.1 Channel Soundbar System



EN

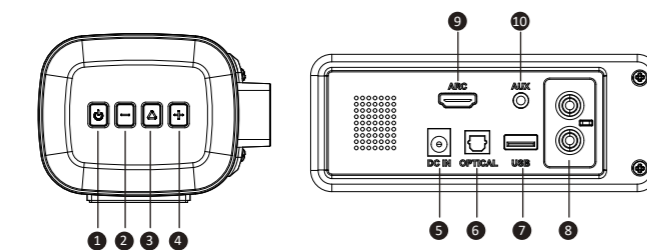
Thanks for purchasing VCS-S1. This guideline aims to offer you details on setting up this soundbar so that you can enjoy the ultimate sound experience.

### ACCESSORIES



- 1 Soundbar
- 2 User Manual
- 3 Power adapter
- 4 Wall mounting bolts
- 5 Soundbar Extension Connection Cables

### DIAGRAM (BUTTONS, PORTS & INDICATOR)

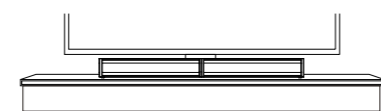


- 1 Short press to turn on, long press to turn off; short press to switch modes when it is turned on.
- 2 Short press volume-1, long press to decrease quickly.
- 3 In Bluetooth and USB mode, short press to play or pause.
- 4 Short press volume+1, long press to increase quickly.
- 5 DC 18V IN Jack.
- 6 OPTICAL IN: Function off.
- 7 USB IN: Connect to the flash drive for playing MP3/WAV files (64GB max).
- 8 Left track high and low output.
- 9 ARC IN: Function off.
- 10 AUX IN: Connect to the compatible devices via the 3.5mm-RCA stereo jack cable (provided).

EN

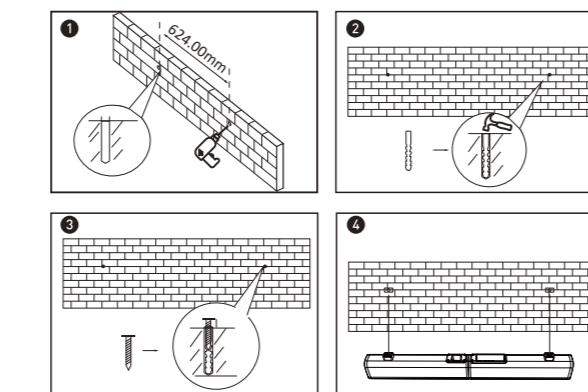
### PLACEMENT

#### A. Table Placement



Placement:  
Place the soundbar on a solid surface.

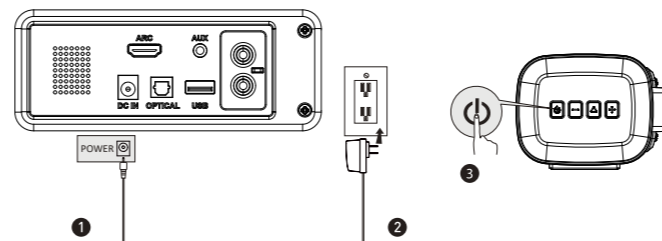
#### B. Wall Mounted



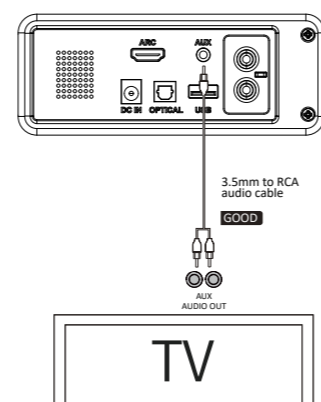
EN

### USING YOUR SOUNDBAR

#### A. Power Connection



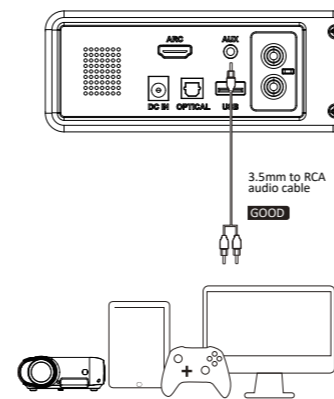
#### B. Connect to TV



After connecting the line, use the soundbar to change the input mode.

EN

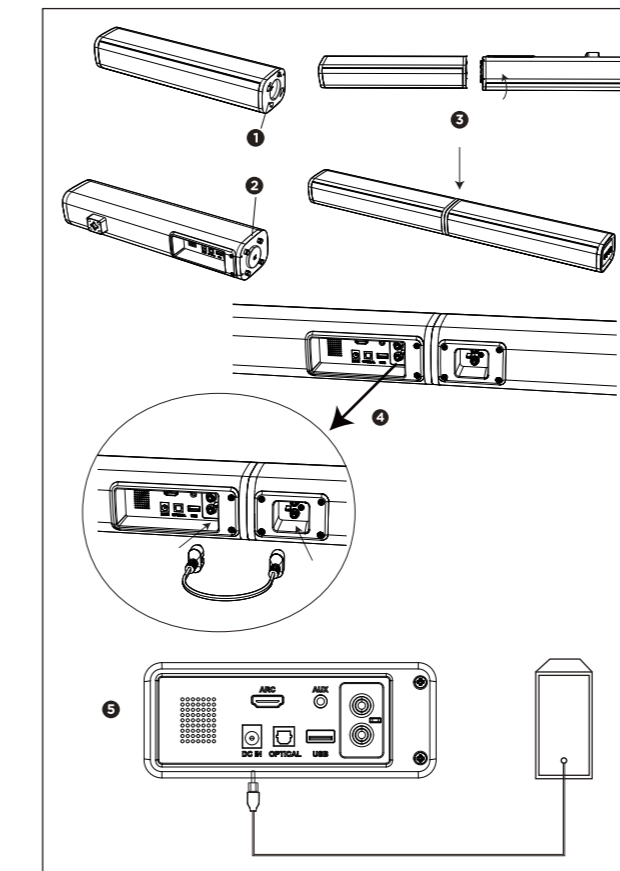
#### C. Connect to Other Devices



Need to purchase one 3.5mm-3.5mm audio cable if there is only 3.5mm female output on your Devices.

EN

### USING YOUR SOUNDBAR SYSTEM:



EN

### SPECIFICATION:

Model	VCS-S1
Power Supply	DC 18V/2A
Peak Power	30W
Sound Channel	2.1
Driver	(52x58mm)x2 Driver+Subwoofer 2.25"x2
Functional Jacks	AUXx1
Distortion	<1%
Product Weight	2.1kg
Product Dimension	Soundbar 805(L)x90(D)x73(H)mm

### SAFETY INSTRUCTIONS

- 1. Avoid dropping
- 2. Do not disassemble
- 3. Avoid extreme temperatures
- 4. Don't use the device outdoors during thunderstorms
- 5. Use original or certified cables
- 6. Don't use any corrosive cleaner/oil to clean
- 7. The products should not be exposed to dripping or splashing water

EN

Based on legislative decree no. 49 dated 14<sup>th</sup> March, 2014

"Execution of Directive 2012/19/EU about electrical and electronic equipment waste(RAEE)"



This marking indicates that this product should not be disposed with other household wastes, but it should be disposed separately from other wastes. Therefore, the user should bring the product with all essential components to recycling centers for electrical and electronic wastes, or return to retailer before to buy a new product as equivalent type, in the ratio of 1 to 1, or 1 to 0 for products that have larger side lesser of 25cm. Correct disposal of your old appliance will help to prevent potential damage to the environment and to human health and support materials recycling. The unlawful disposal of the product should involve for users' administrative sanctions based on Legislative Decree no. 49 dated 14<sup>th</sup> March, 2014.

Correct disposal of the batteries in this product (Applicable in countries with separate collection systems)  
This marking on battery, manual or packaging indicates that the batteries in this product should not be disposed of with other household waste at the end of their working life. Where marked, the chemical symbols Hg, Cd or Pb indicate that the battery contains mercury, cadmium or lead above the reference levels in EC Directive 2006/66. If batteries are not properly disposed of, these substances can cause harm to human health or the environment. To protect natural resources and to promote material reuse, please separate batteries from other types of waste and recycle them through your local, free battery return system.

### CAUTION:



To prevent possible hearing damage, do not listen at high volume levels for long periods.

### Environmental Considerations

Operating Temperature: 5°C-35°C (41°F-95°F)  
Operating Humidity: 20%-75%, non-condensing

Storage Temperature: -15°C-45°C (5°F-113°F)  
Storage Humidity: 10%-90%, non-condensing

BT max transmitter power: 100mW at 2.4GHz-2.4835GHz  
Wi-Fi max transmitter power: 100mW at 2.4GHz-2.4835GHz, 200mW at 5.15GHz-5.25GHz, 100mW 5.25GHz-5.35GHz & 5.47GHz-5.725GHz

The 5GHz WLAN(Wi-Fi) function of this equipment may only be operated indoors.

!	BE	BG	CZ	DK	DE	EE	IE
	EL	ES	FR	HR	IT	CY	LV
	LT	LU	HU	MT	NL	AT	PL
	PT	RO	SI	SK	FI	SE	UK